

# FRAMECRETE

## CLADDING 2" & 3"

INSTALLATION GUIDE FOR CLADDING  
2023

## INDEX

---

INDEX	02
INSTALLATION GUIDELINES	03
BEFORE STARTING	04
LITECON CLADDING DIMENSIONS	05
TYPICAL WOOD STUD FRAME AND STEEL FRAME	06
EXPANSION JOINTS	07
BRICK LEDGE OR STEEL ANGLE	08
WALL ASSEMBLY - OPTION 1	09
WALL ASSEMBLY - OPTION 2	10
WALL ASSEMBLY - OPTION 3	11
FIRST ROW AND ADHESIVE APPLICATION	12
SUBSEQUENT ROWS	13
FASTENERS DISTRIBUTION - WOOD STUD	14
FASTENERS DISTRIBUTION - STEEL STUD	15
FASTENER SPECIFICATION FOR WOOD STUD AND METAL STUD	16
CEILING FINISHES	17
WINDOWS & DOORS	18
FIBERGLASS MESH	19
DRILLINGS - WALLS	20
POPULAR FINISHES	21
FAQ'S	22
PLACEMENT OF ADDITIONAL STUD WHEN THE EDGE OF THE PANEL IS NOT ALIGNED WITH A STUD	23
CRACKS REPAIRING	24
FISSURE REPAIRING	25
CROOKED CORNER REPAIRING	26

---

## INSTALLATION GUIDELINES

### EXPANSION JOINTS:

EXPANSION JOINTS ARE NOT NEEDED DUE TO OUR MATERIAL'S (AAC) PROPERTIES AND FASTENING DISTANCES.

### CONTROL / MOVEMENT JOINTS:

PLACEMENT OF CONTROL JOINTS ARE RESPONSIBILITY OF THE DESIGNER, CONSIDERING BUILDING EXPANSION JOINTS, SOIL, FOUNDATION PERFORMANCE, DISSIMILAR MATERIALS/WALLS, CHANGES IN BUILDING HEIGHT, LOCAL CODE, ETC.

THE FOLLOWING DRAWINGS ASSEMBLIES AND CONSTRUCTION DETAILS ARE FOR ILLUSTRATION PURPOSES ONLY.

CONSULT DESIGN AUTHORITY AND CONFIRM COMPLIANCE CODE. LITECON DOES NOT PROVIDE DESIGN SERVICES.

CHECK PLUMB AND ALIGNMENT OF JOIST OR AFTER SUPPORTS.

METAL STUDS SHOULD BE PER DESIGN SPECIFICATIONS. NO MORE THAN 24" O.C. (PLEASE CONTACT LITECON TECHNICAL DEPARTMENT AND CONSULT YOUR DESIGN PROFESSIONAL).

WOOD STUDS SHOULD BE PER DESIGN SPECIFICATIONS. NO MORE THAN 16" O.C. (PLEASE CONTACT LITECON TECHNICAL DEPARTMENT AND CONSULT YOUR DESIGN PROFESSIONAL).

BRICK LEDGE AND ANGLE IRON ARE HIGHLY RECOMMENDED, ESPECIALLY ON 2 STORY BUILDINGS. CONSULT DESIGN PROFESSIONAL.

FLASHING AND WEEPS SHOULD BE PER CODE AND PER DESIGNER SPECIFICATIONS.

### RECOMMENDED FLASHING:

- LIQUID FLASHING
- GALVANIZED STEEL FLASHING BEHIND HOMEWRAP

### RECOMMENDED WEEPS:

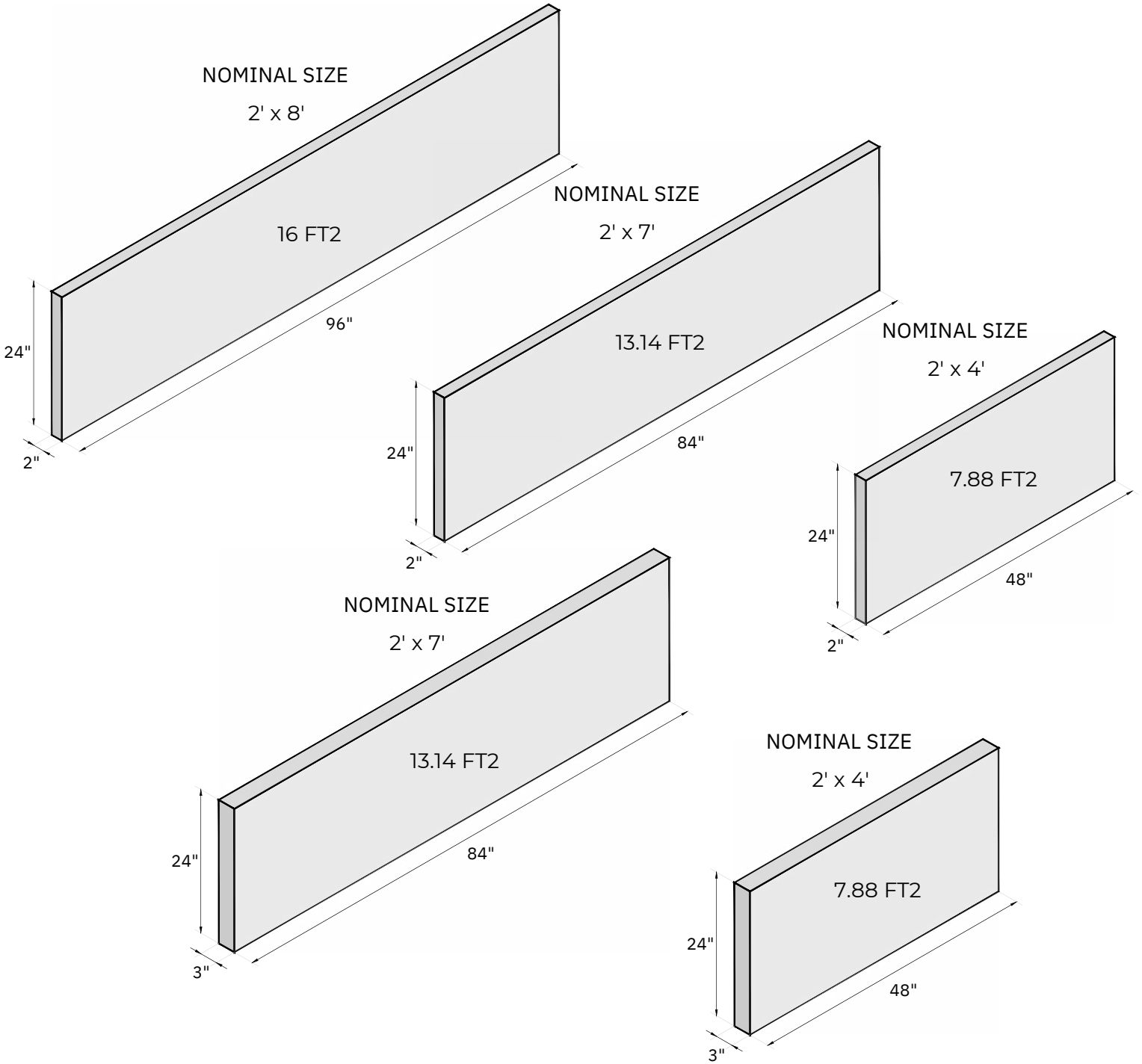
- MTI DRY WALL OPENING WEEPS EVERY 4'O.C. ON FIRST ROW ONLY
- WEEP SCREED

## BEFORE STARTING

---

- 1.- BLUEPRINTS
  - 2.- HOUSE WRAP AS WEATHER BARRIER
  - 3.- BRICK LEDGE OR COATED STEEL ANGLE OR STAINLESS STEEL ANGLE 2" x 2"
  - 4.- LITECON CLADDING
  - 5.- LITECON ADHESIVE
  - 6.- LIQUID FLASHING (OPTIONAL, SEE WALL ASSEMBLY - OPTION 1)
  - 7.- WALL OPENING WEEPS (OPTIONAL, SEE WALL ASSEMBLY - OPTION 1 OR OPTION 2)
  - 8.- METAL FLASHING OR CODE APPROVED(OPTIONAL, SEE WALL ASSEMBLY - OPTION 2)
  - 9.- WEEP SCREED (OPTIONAL, SEE WALL ASSEMBLY - OPTION 3)
  - 10.- FASTENERS: DEPEND ON THE STUD (WOOD OR STEEL) AND THE LITECON CLADDING THICKNESS. IN BOTH CASES THE FASTENER SHOULD HAVE A COATING THAT PROVIDES CORROSION
  - 11.- FIBERGLASS MESH
  - 12.- TAP WATER
  - 13.- ELECTRIC POWER 110/220V
  - 14.- A 5 GAL. EMPTY BUCKET
  - 15.- GROUT MIXING PADDLE
  - 16.- ELECTRIC DRILL
  - 17.- BATTERY SCREWDRIVER
  - 18.- RUBBER HAMMER
  - 19.- BUBBLE OR LASER KNIFE
  - 20.- JOINT KNIFE
  - 21.- CIRCULAR SAW
  - 22.- 7" DIAMOND TURBO BLADE
  - 23.- BACKER ROD FOR WINDOWS
  - 24.- SILICONE WATERPROOF FOR WINDOWS
-

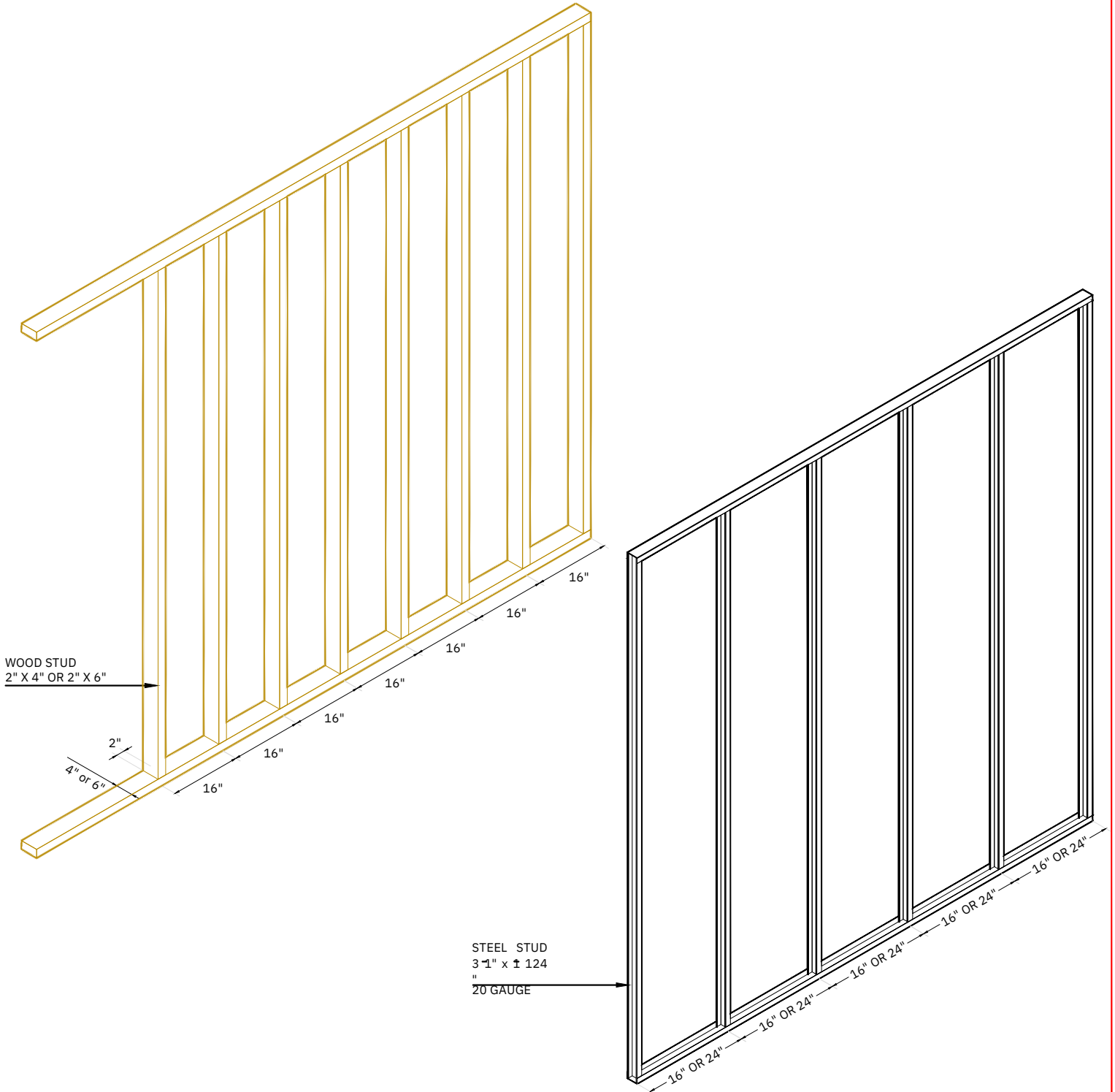
CLADDING DIMENSIONS



NOTES

1. LENGTH CAN BE ADJUSTED TO CUSTOMERS NEEDS (EVERY 0.2 INCHES) UP TO 120"
2. THE NOMINAL SIZE OF THE LITECON CLADDING IS 2" X 2' X 4', THE ACTUAL SIZE IS 1.97" X 23.62" X 48.03"
3. THE NOMINAL SIZE OF THE LITECON CLADDING IS 2" X 2' X 7', THE ACTUAL SIZE IS 1.97" X 23.62" X 80.11"
4. THE NOMINAL SIZE OF THE LITECON CLADDING IS 2" X 2' X 8', THE ACTUAL SIZE IS 1.97" X 23.62" X 96.06"
5. THE NOMINAL SIZE OF THE LITECON CLADDING IS 3" X 2' X 4', THE ACTUAL SIZE IS 2.95" X 23.62" X 48.03"
6. THE NOMINAL SIZE OF THE LITECON CLADDING IS 3" X 2' X 7', THE ACTUAL SIZE IS 2.95" X 23.62" X 80.11"

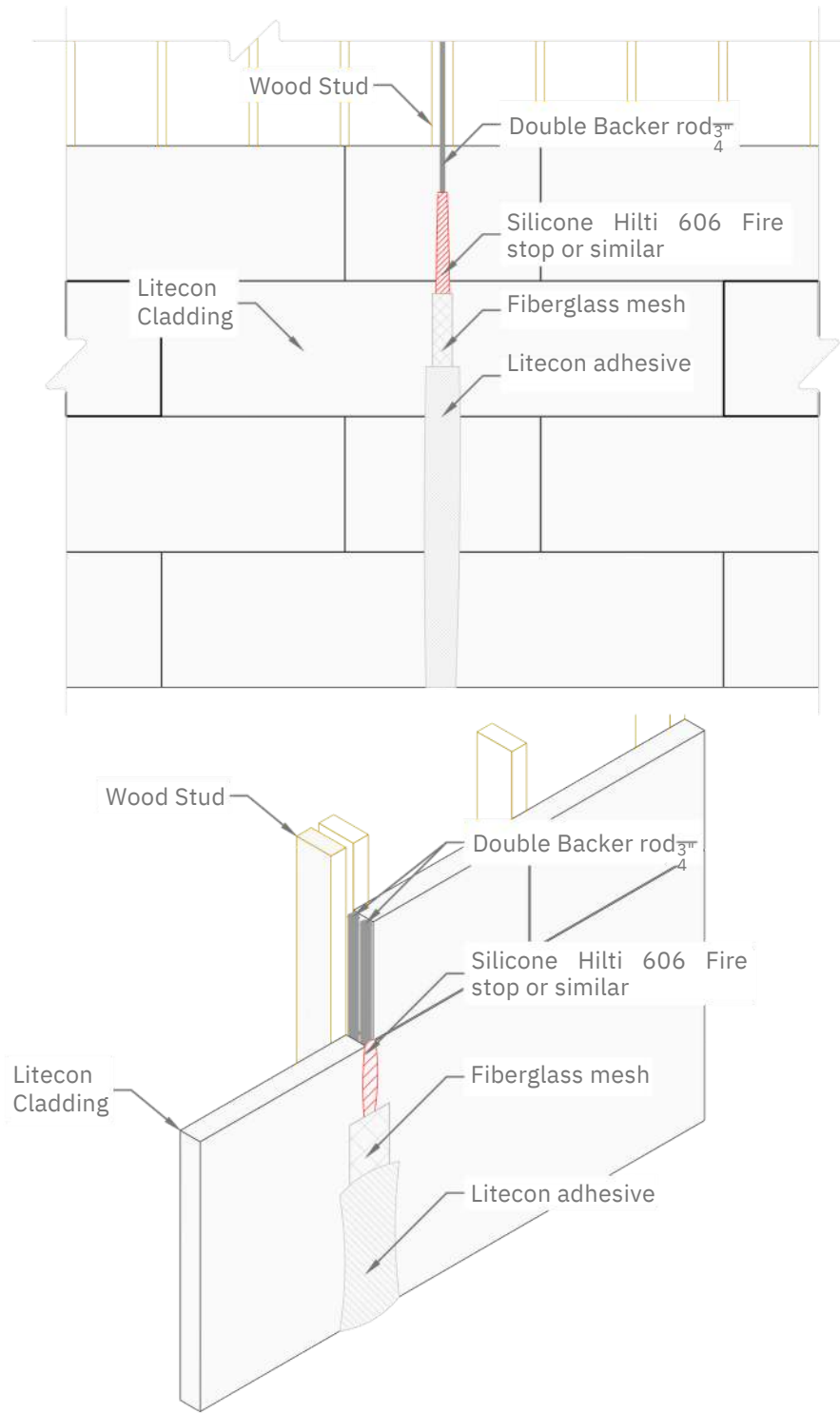
TYPICAL WOOD STUD FRAME AND STEEL FRAME



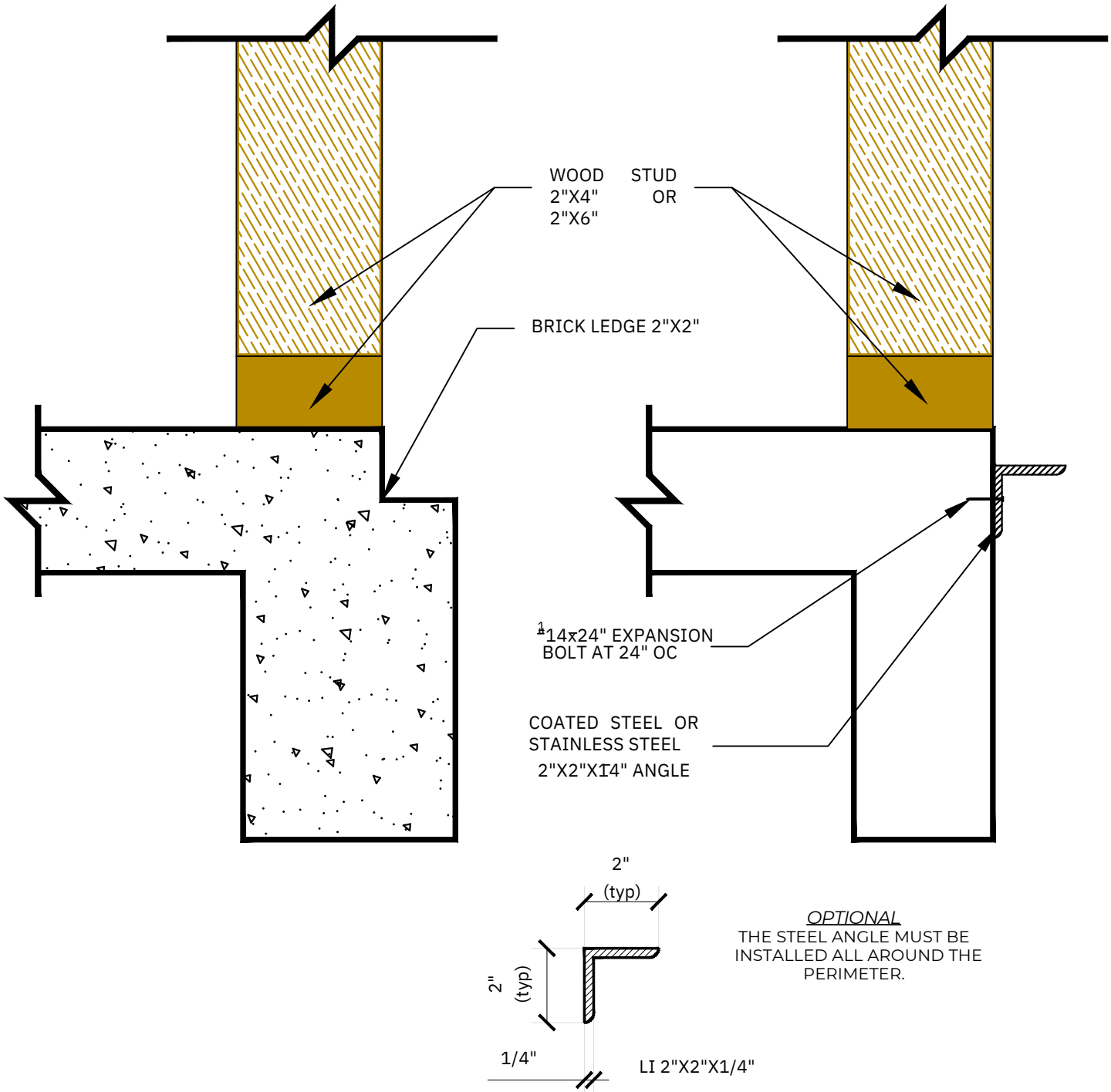
NOTES

1. THE NOMINAL SIZE OF FRAMING WOOD STUD IS 2" X 4" OR 2" X 6"
2. METAL STUDS SHOULD BE PER DESIGN SPECIFICATIONS. NO MORE THAN 24" O.C.  
(PLEASE CONTACT LITECON TECHNICAL DEPARTMENT AND CONSULT YOUR DESIGN PROFESSIONAL).
3. WOOD STUDS SHOULD BE PER DESIGN SPECIFICATIONS. NO MORE THAN 16" O.C.  
(PLEASE CONTACT LITECON TECHNICAL DEPARTMENT AND CONSULT YOUR DESIGN PROFESSIONAL).

EXPANSION JOINTS

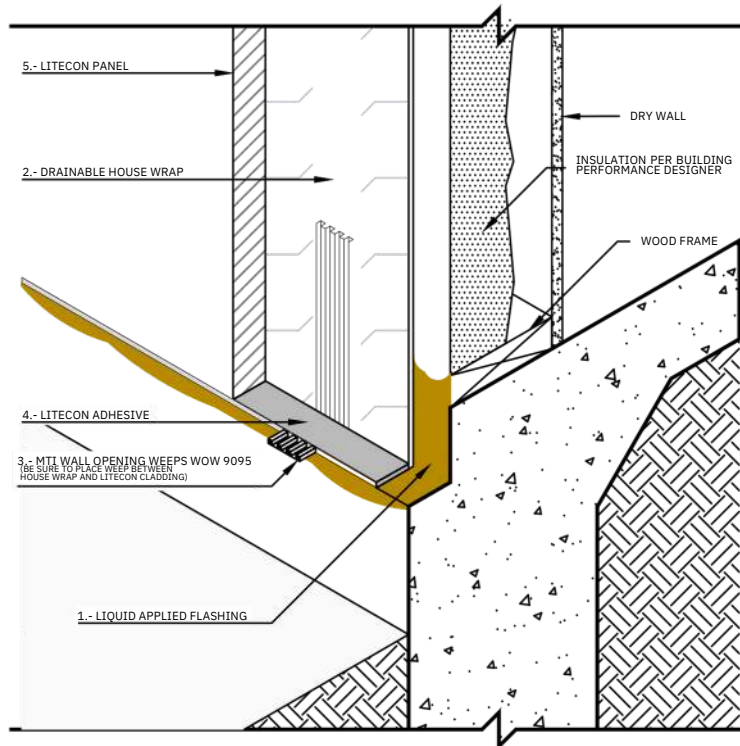
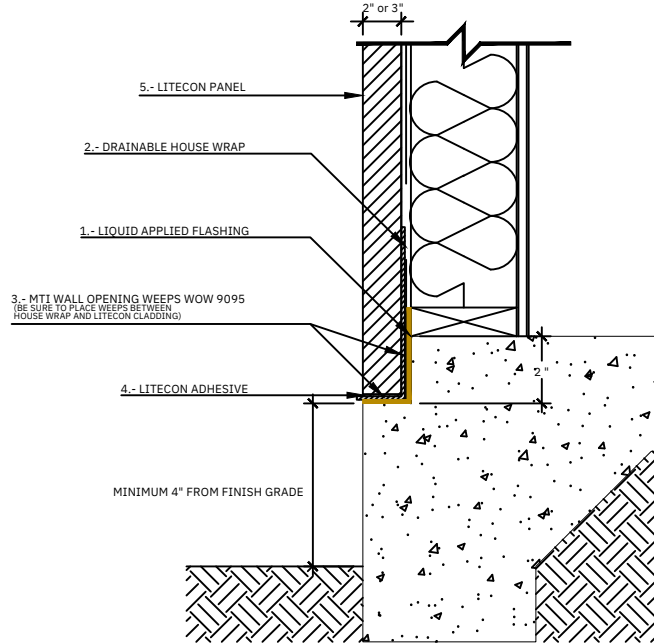


BRICK LEDGE OR STEEL ANGLE  
(OPTIONAL)





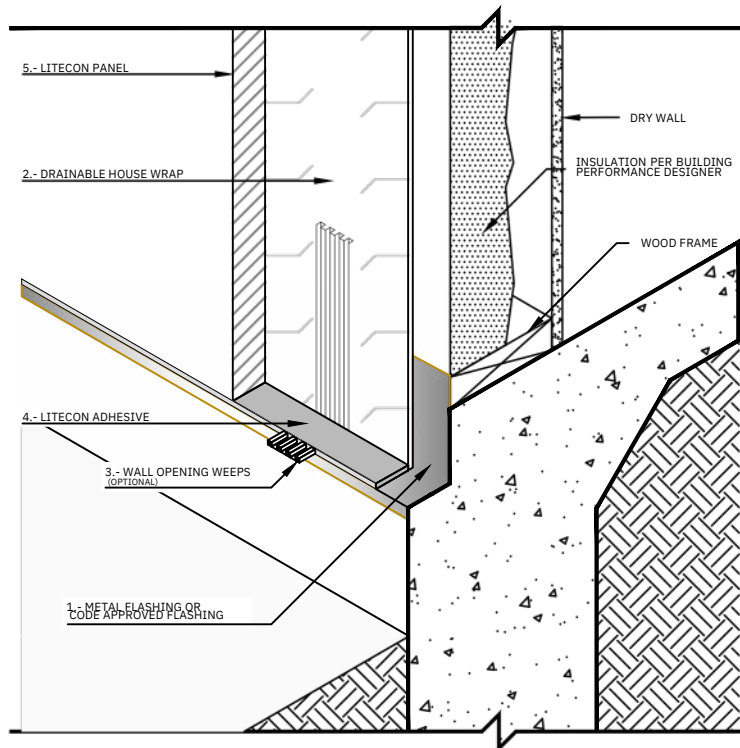
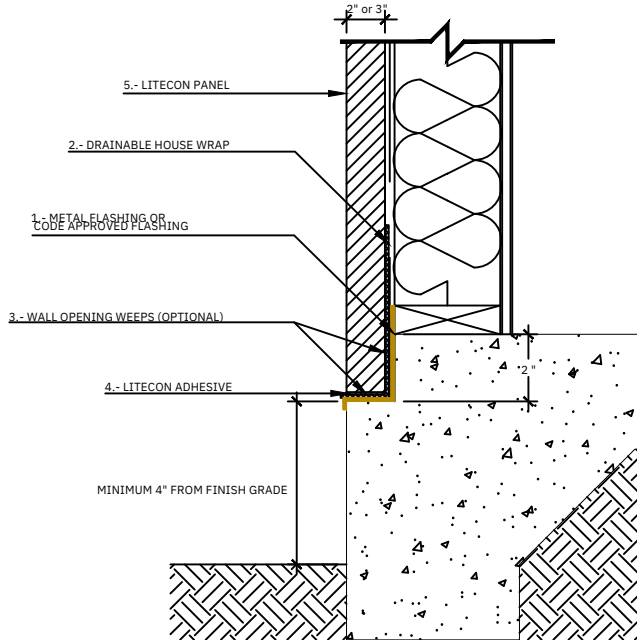
WALL ASSEMBLY - OPTION 1



NOTES

1. LIQUID FLASHING. CHECK MANUFACTURER'S INSTALLATION GUIDELINES
2. TAMLIN WRAP OR DUPONT DRAINABLE WRAP ARE RECOMMENDED AS A WEATHER BARRIER. CHECK MANUFACTURER'S INSTALLATION GUIDELINES  
DRAINABLE WRAP MUST BE INSTALLED WITH DRAINABLE PATTERN FACING LITECON CLADDING. CHECK MANUFACTURER'S INSTALLATION GUIDELINES
3. MTI DRY WALL OPENING WEEP WOW 9095 IS RECOMMENDED. CHECK MANUFACTURER'S INSTALLATION GUIDELINES  
WE RECOMMEND 1 WALL OPENING WEEP PER PANEL 2'X4' OR TWO WEEPS PER PANEL 2'X7'  
MTI DRY WALL OPENING WEEP SHOULD NOT BE CUT UNTIL AFTER THE FINAL FINISH HAS BEEN APPLIED
4. LITECON ADHESIVE CAN BE USED FOR LEVELING. THE LEVELING THICKNESS RANGE IS 1/16" TO 1"

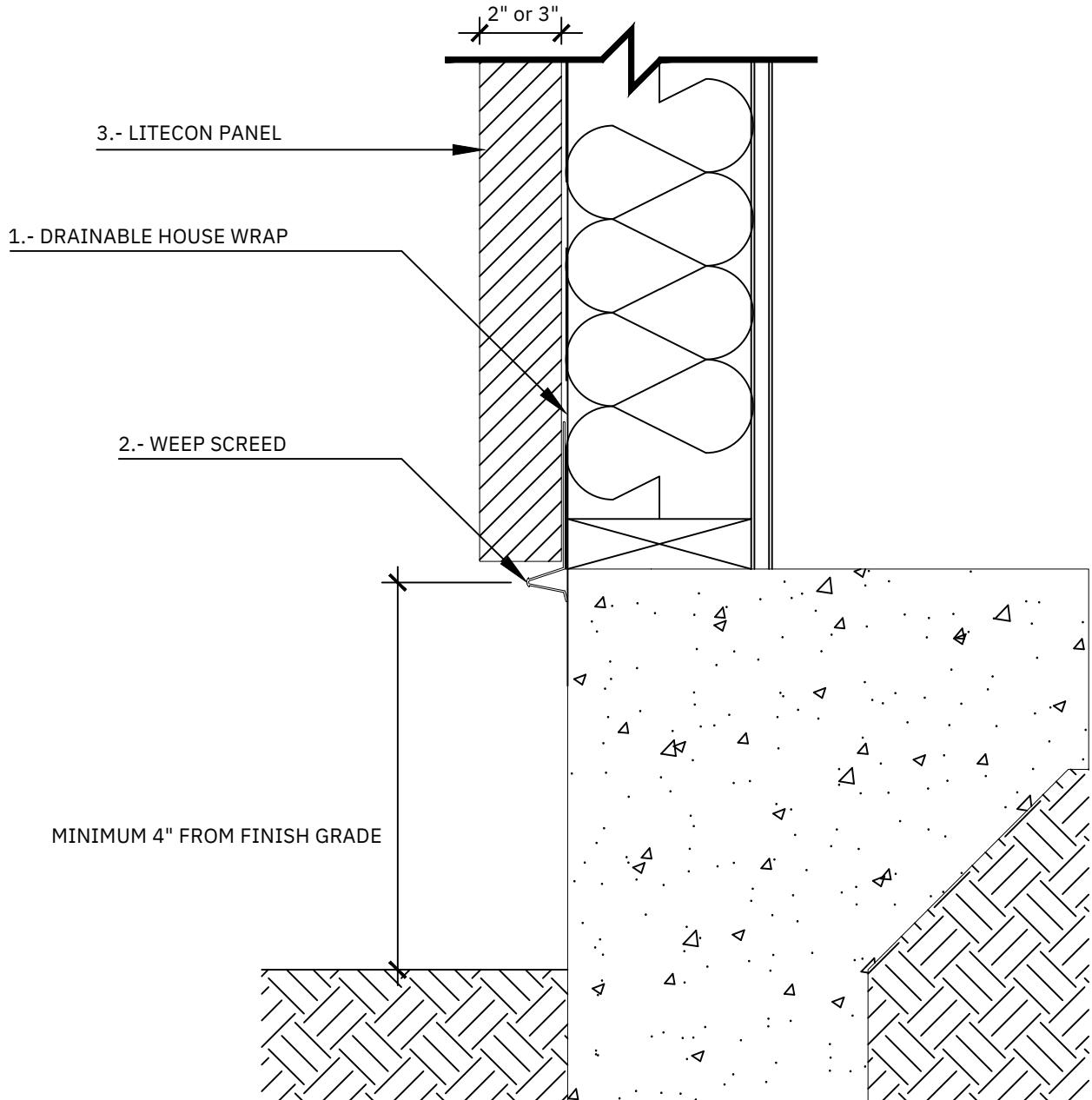
WALL ASSEMBLY - OPTION 2



NOTES

1. FLASHING. CHECK MANUFACTURER'S INSTALLATION GUIDELINES
2. TAMLINWRAP OR DUPONT DRAINABLE WRAP ARE RECOMMENDED AS A WEATHER BARRIER. CHECK MANUFACTURER'S INSTALLATION GUIDELINES
3. DRAINABLE WRAP MUST BE INSTALLED WITH DRAINABLE PATTERN FACING LITECON CLADDING. CHECK MANUFACTURER'S INSTALLATION GUIDELINES
4. WALL OPENING WEEP. CHECK MANUFACTURER'S INSTALLATION GUIDELINES
5. WE RECOMMEND 1 WALL OPENING WEEP PER PANEL 2'X4' OR TWO WEEPS PER PANEL 2'X7'
6. WALL OPENING WEEP SHOULD NOT BE CUT UNTIL AFTER THE FINAL FINISH HAS BEEN APPLIED
7. LITECON ADHESIVE CAN BE USED FOR LEVELING. THE LEVELING THICKNESS RANGE IS 1/16" TO 1"

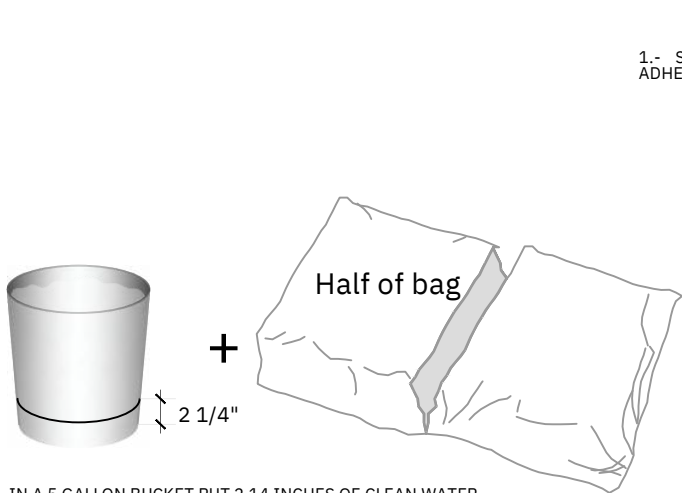
WALL ASSEMBLY - OPTION 3



NOTES

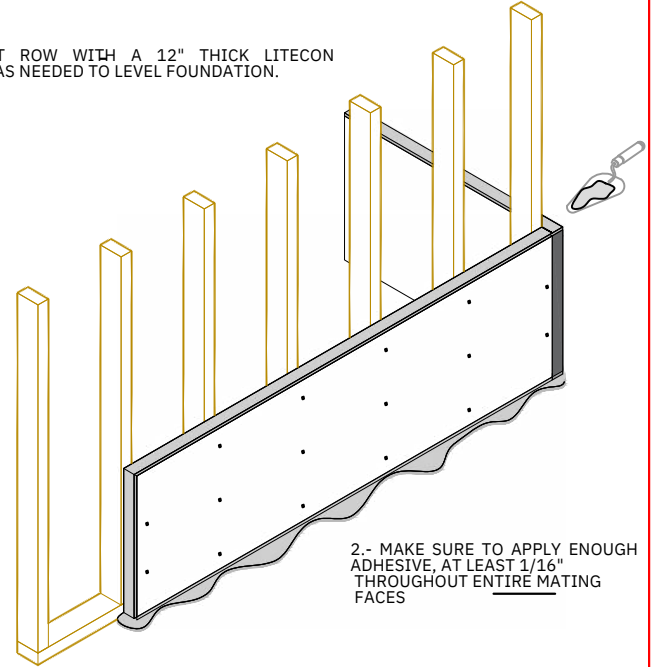
- 1.WEEP SCREED. CHECK MANUFACTURER'S INSTALLATION GUIDELINES
- 2.TAMLYNWRAP OR DUPONT DRAINABLE WRAP ARE RECOMMENDED AS A WEATHER BARRIER. CHECK MANUFACTURER'S INSTALLATION GUIDELINES
- DRAINABLE WRAP MUST BE INSTALLED WITH DRAINABLE PATTERN FACING LITECON CLADDING. CHECK MANUFACTURER'S INSTALLATION GUIDELINES

FIRST ROW AND ADHESIVE APPLICATION



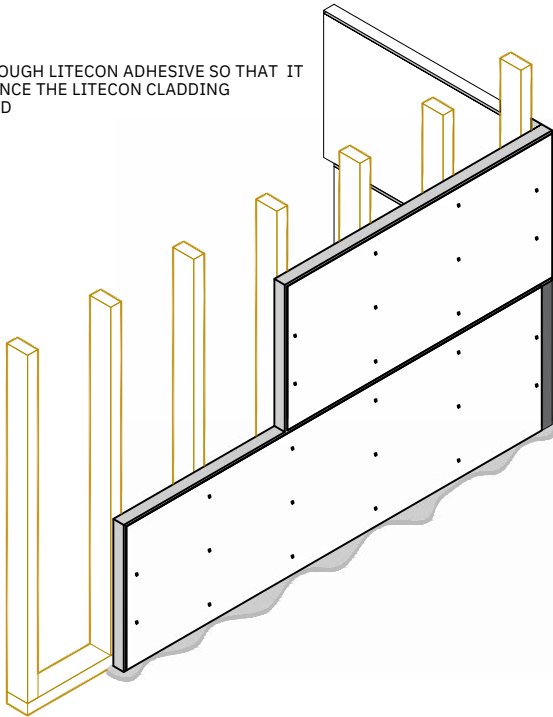
IN A 5 GALLON BUCKET PUT 2 1/4 INCHES OF CLEAN WATER, POUR HALF OF A BAG OF LITECON ADHESIVE. MIX TO OBTAIN A UNIFORM WORKABLE CONSISTENCY WITH NO CLUMPS. LET REST FOR 5 MINUTES, MIX AGAIN AND APPLY

1.- SET FIRST ROW WITH A 12" THICK LITECON ADHESIVE OR AS NEEDED TO LEVEL FOUNDATION.



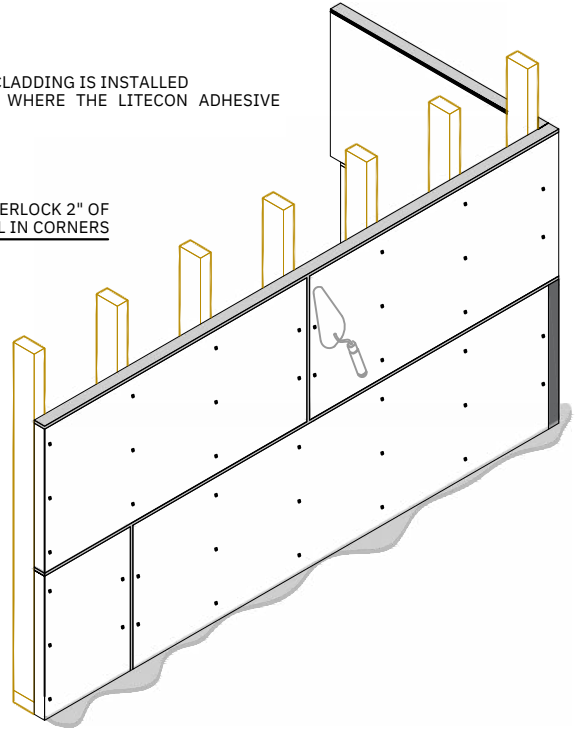
2.- MAKE SURE TO APPLY ENOUGH ADHESIVE, AT LEAST 1/16" THROUGHOUT ENTIRE MATING FACES

3.-APPLY ENOUGH LITECON ADHESIVE SO THAT IT SPITS OUT ONCE THE LITECON CLADDING IS INSTALLED



4.- AFTER THE LITECON CLADDING IS INSTALLED SMOOTHEN THE AREA WHERE THE LITECON ADHESIVE SPAT OUT

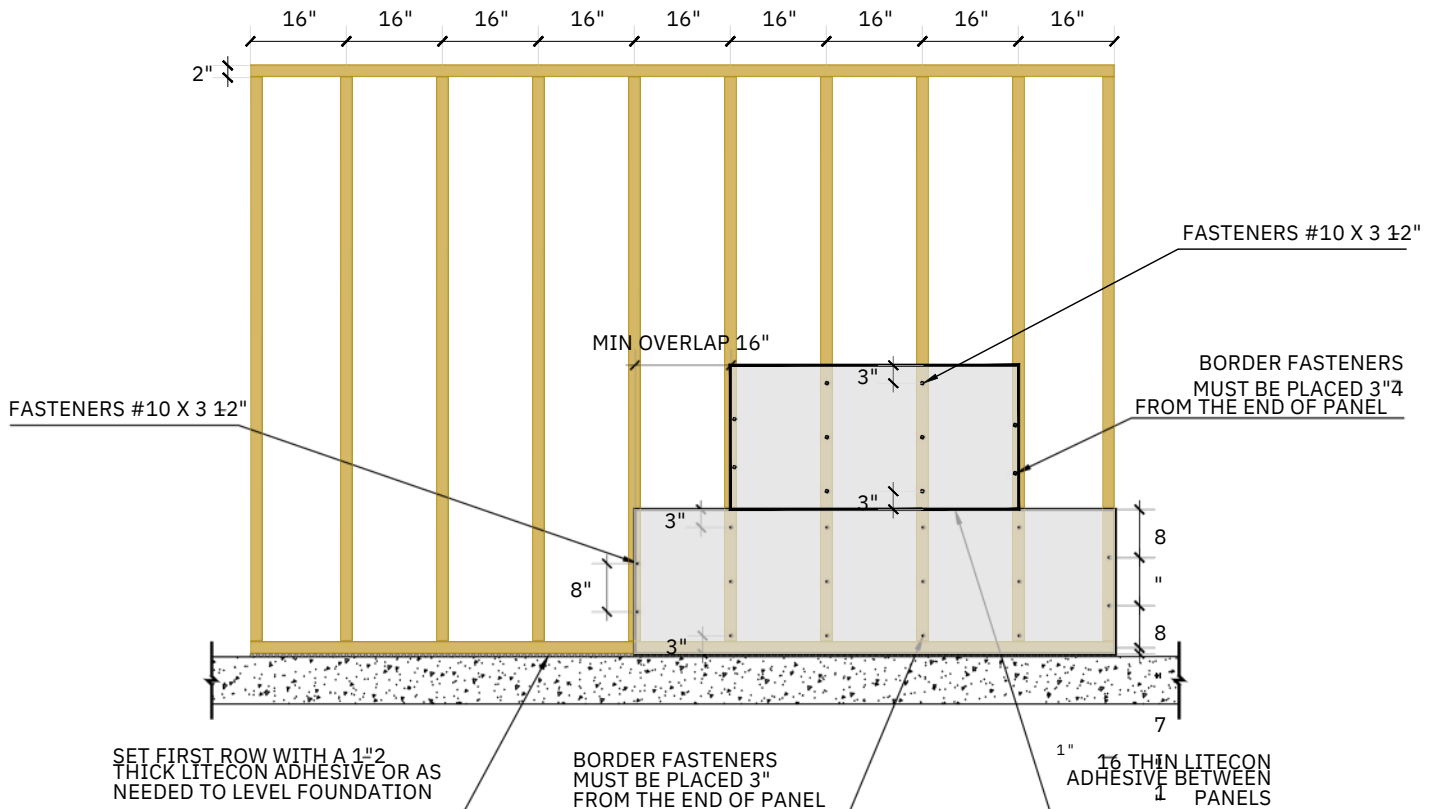
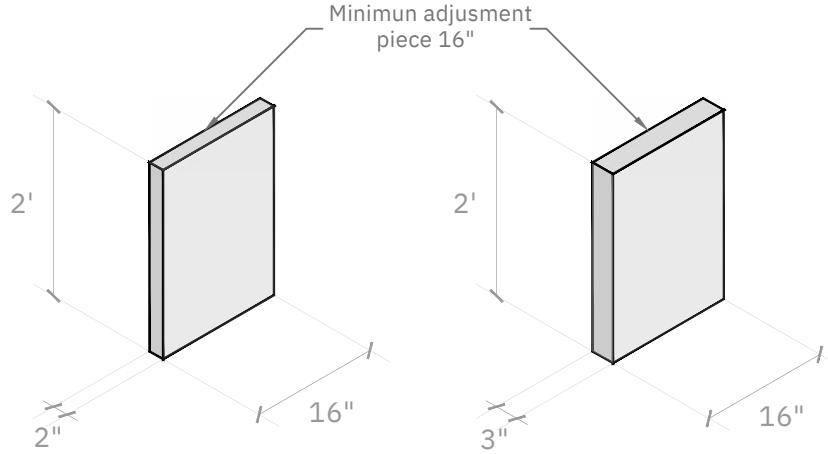
BE SURE TO INTERLOCK 2" OF PANEL IN CORNERS



NOTES

- 1.-LEVEL FIRST ROW WITH LITECON ADHESIVE
- 2.-MAKE SURE TO APPLY ENOUGH ADHESIVE, AT LEAST 1/16" THROUGHOUT THE ENTIRE MATING FACES
- 3.-BE SURE TO INTERLOCK 2" OF PANEL IN CORNERS
- 4.-WHEN DRILLING THROUGH THE PANELS, MAKE SURE THE SCREW ENTERS THE WOOD STUD
- 5.-FASTENERS HEADS MUST BE COUNTERSUNK 12" INTO THE PANEL
- 6.-FILL THE 12" GAP GENERATED BY THE FASTENER WITH LITECON ADHESIVE TO PREVENT WATER INTRUSION TO THE STUD
- 7.-ALLOW LITECON ADHESIVE TO DRY FOR A MINIMUM OF 24 HOURS PRIOR TO APPLYING ANY LOAD
- 8.- ONCE THE ADHESIVE IS MADE OR MIXED WITH WATER IT SHOULD BE USED WITHIN A MAXIMUM OF 30 MINUTES

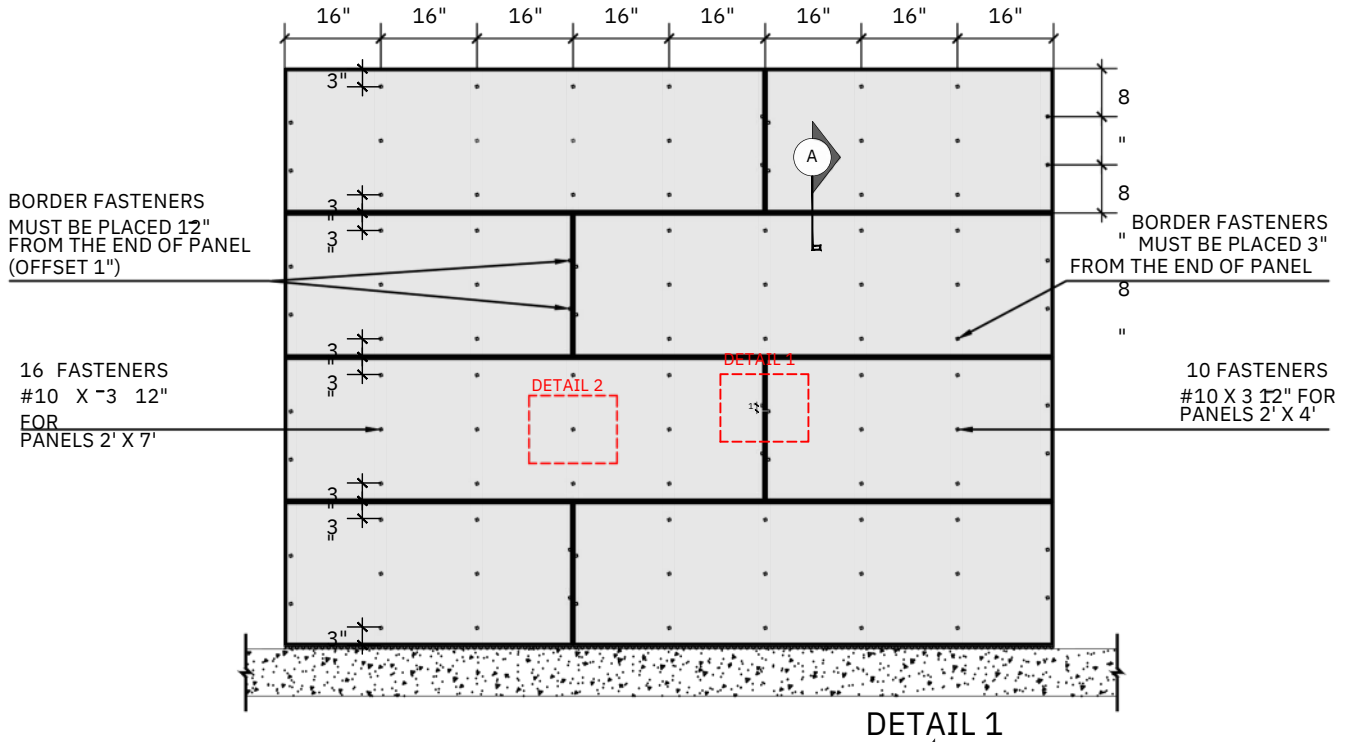
SUBSEQUENT ROW



NOTES

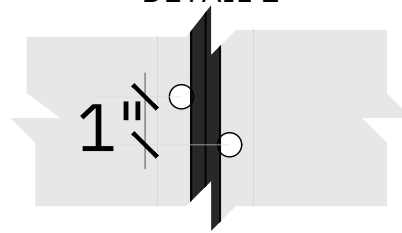
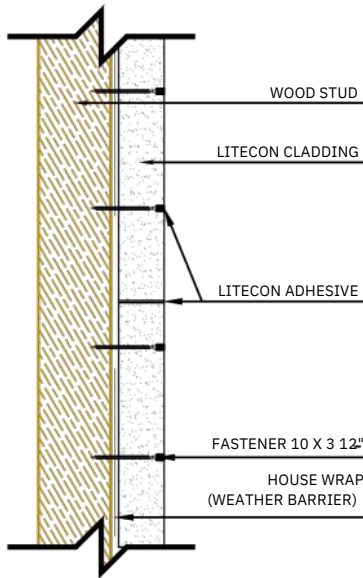
1. THE 2' X 4' PANEL MUST BE INSTALLED WITH 10 FASTENERS
2. THE 2' X 7' PANEL MUST BE INSTALLED WITH 16 FASTENERS
3. THE 2' X 8' PANEL MUST BE INSTALLED WITH 19 FASTENERS
4. MAKE SURE TO APPLY ENOUGH ADHESIVE, AT LEAST 1/16" THROUGHOUT THE ENTIRE MATING FACES
5. BE SURE TO INTERLOCK 2" OF PANEL IN CORNERS
6. WHEN DRILLING THROUGH THE PANELS, MAKE SURE THE SCREW ENTERS THE WOOD STUD
7. FASTENERS HEADS MUST BE COUNTERSUNK 1/2" INTO THE PANEL
8. FILL THE 12" GAP GENERATED BY THE FASTENER WITH LITECON ADHESIVE TO PREVENT WATER INTRUSION TO THE STUD
9. MINIMUM ADJUSTMENT PIECE 16"

FASTENERS DISTRIBUTION - WOOD STUD

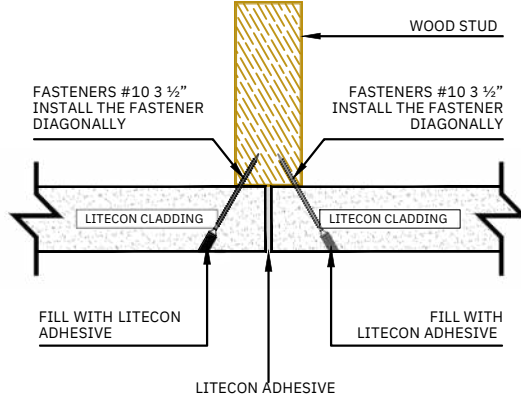


DETAIL 1

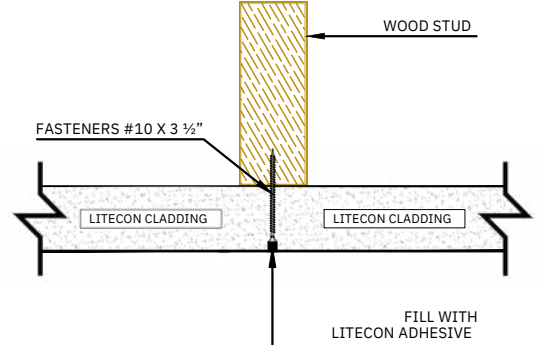
SECTION A



DETAIL 1 - SECTION



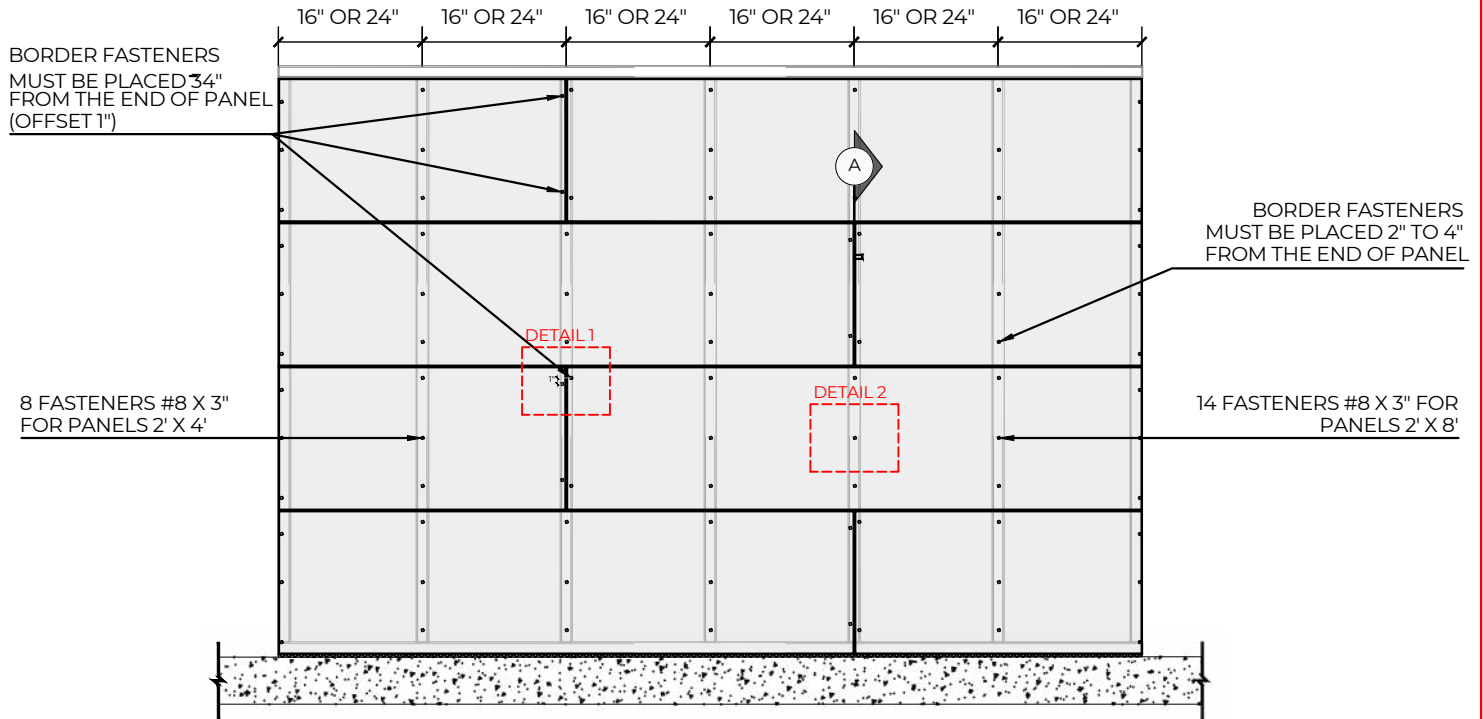
DETAIL 2 - SECTION



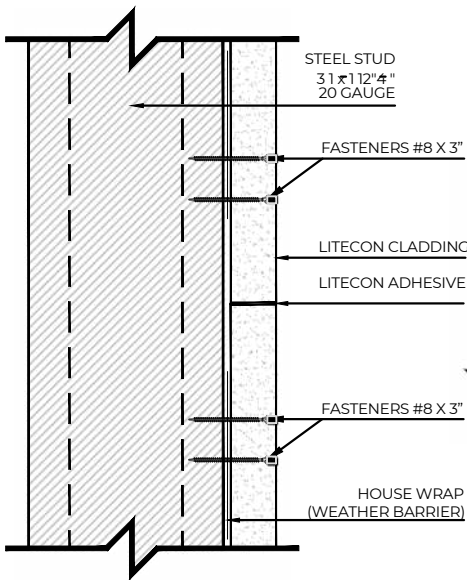
NOTES

- 1.-THE 2' X 4' PANEL MUST BE INSTALLED WITH 10 FASTENERS
- 2.-THE 2' X 7' PANEL MUST BE INSTALLED WITH 16 FASTENERS
- 3.-THE 2' X 8' PANEL MUST BE INSTALLED WITH 19 FASTENERS
- 4.- WHEN DRILLING THROUGH THE PANELS, MAKE SURE THE SCREW ENTERS THE WOOD STUD
- 5.- FASTENERS HEADS MUST BE COUNTERSUNK 1/2" INTO THE PANEL
- 6.- FILL THE 1/2" GAP GENERATED BY THE FASTENER WITH LITECON ADHESIVE TO PREVENT WATER INTRUSION TO THE STUD

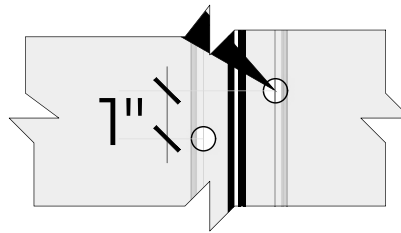
FASTENERS DISTRIBUTION - STEEL STUD



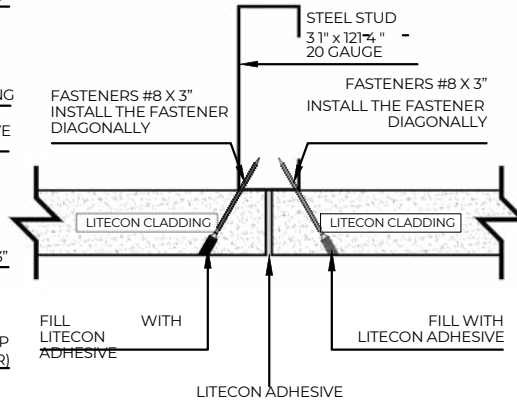
SECTION A



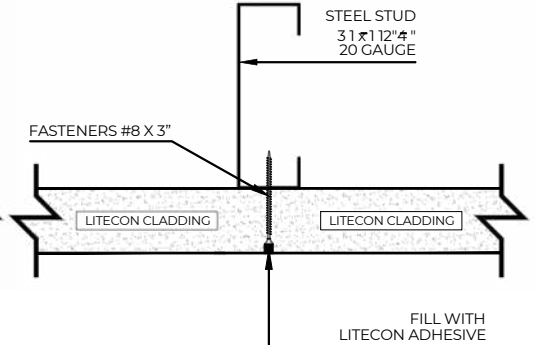
DETAIL 1



DETAIL 1 - SECTION



DETAIL 2 - SECTION



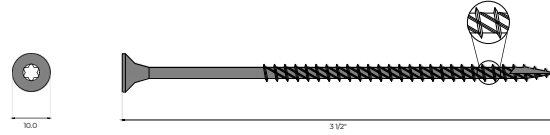
NOTES

- 1.-THE 2' X 4' PANEL MUST BE INSTALLED WITH 8 FASTENERS
- 2.- THE 2' X 8' PANEL MUST BE INSTALLED WITH 14 FASTENERS
- 3.- WHEN DRILLING THROUGH THE PANELS, MAKE SURE THE SCREW ENTERS THE WOOD STUD
- 4.- FASTENERS HEADS MUST BE COUNTERSUNK 1/2" INTO THE PANEL
- 5.- FILL THE 12" GAP GENERATED BY THE FASTENER WITH LITECON ADHESIVE TO PREVENT WATER INTRUSION TO THE STUD

FASTENER SPECIFICATION FOR WOOD STUD AND METAL STUD

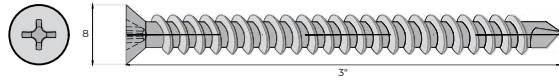
FASTENER FOR WOOD STUD 2" CLADDING

#10 X 3 1/2" SELF DRILLING



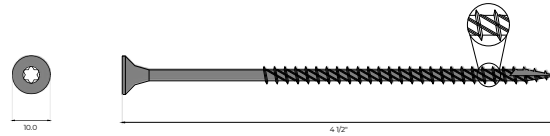
FASTENER FOR STEEL STUD 2" CLADDING

#8 X 3" SELF DRILLING



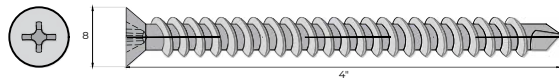
FASTENER FOR WOOD STUD 3" CLADDING

#10 X 4 1/2" SELF DRILLING



FASTENER FOR STEEL STUD 3" CLADDING

#8 X 4" SELF DRILLING



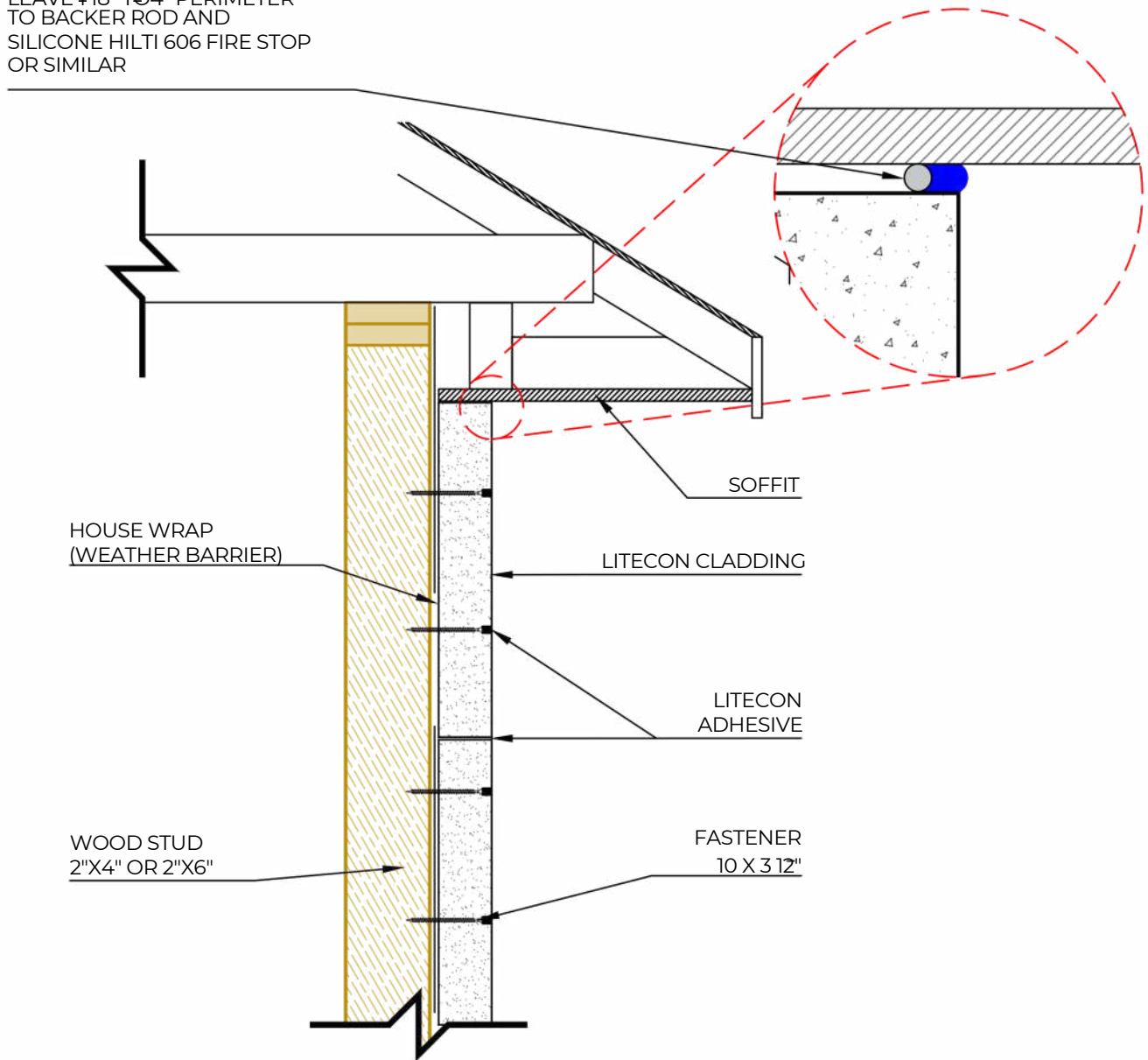
NOTES

- 1.THE FASTENERS SHOULD HAVE A COATING THAT PROVIDES CORROSION RESISTANCE
- 2.THE FASTENERS SHOULD HAVE A TYPE T17 POINT FOR WOOD STUD
- 3.THE FASTENERS SHOULD HAVE A TYPE T25 STAR FLAT HEAD



CEILING FINISHES

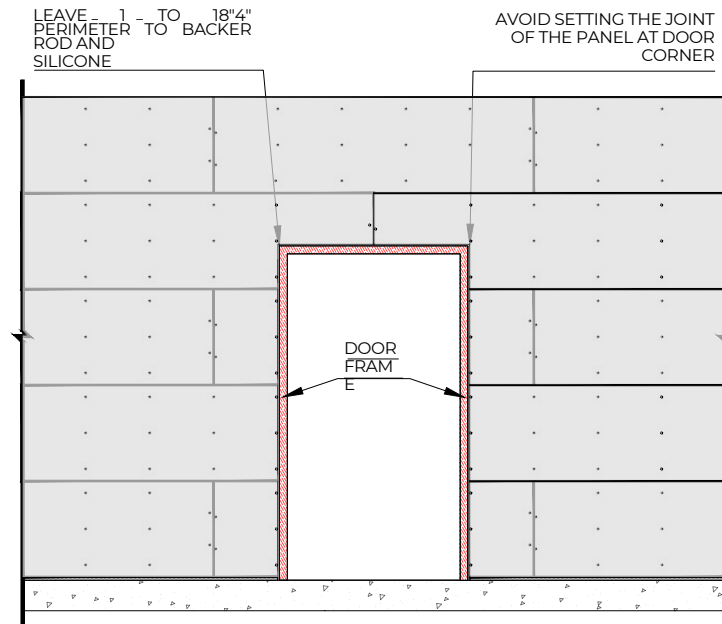
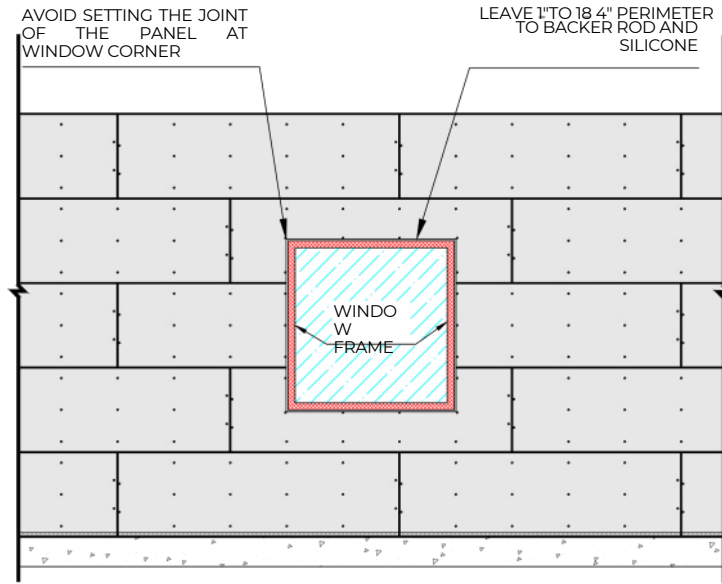
LEAVE 1/8" TO 1/4" PERIMETER  
TO BACKER ROD AND  
SILICONE HILTI 606 FIRE STOP  
OR SIMILAR



NOTES

- 1-LEAVE 1" TO 1/84" PERIMETER FOR THERMAL EXPANSION AND SEAL WITH SILICONE
- 2-APPLY SILICONE 100% WATERPROOF FOR OUTDOOR. CHECK MANUFACTURER'S INSTALLATION GUIDELINES

WINDOWS & DOORS

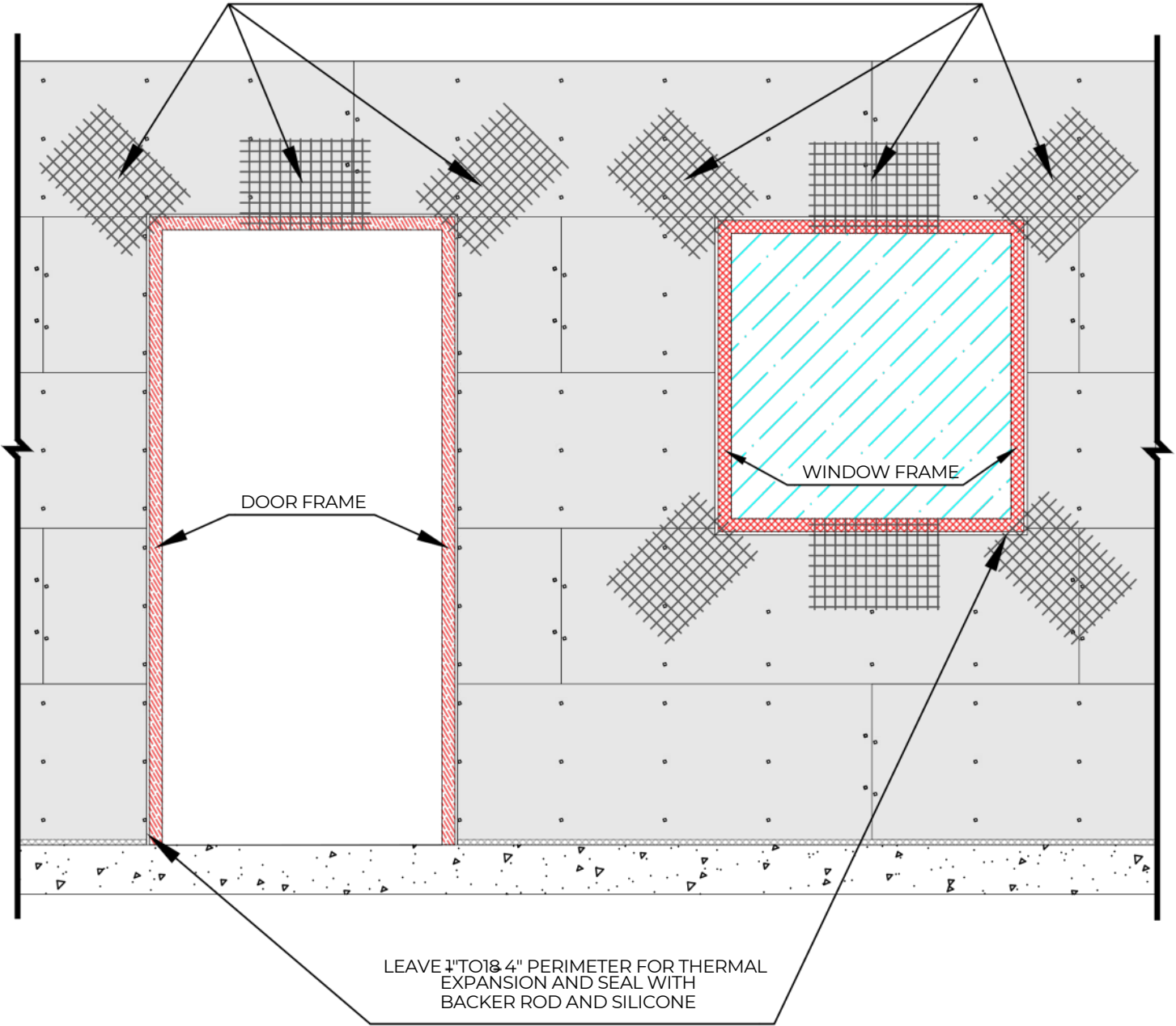


NOTES

- 1.- LEAVE 1" TO 184" PERIMETER FOR THERMAL EXPANSION AND SEAL WITH SILICONE
- 2.- APPLY SILICONE 100% WATERPROOF FOR OUTDOOR. CHECK MANUFACTURER'S INSTALLATION GUIDELINES
- 3.- THE CRITERIA FOR DOORS AND WINDOWS ALSO APPLY TO GARAGES

FIBERGLASS MESH

IF PANEL JOINTS ARE SET AT THE CORNER OF WINDOWS AND DOORS, INSTALL FIBERGLASS MESH ON THE CORNERS OF SUCH WINDOWS AND DOORS.



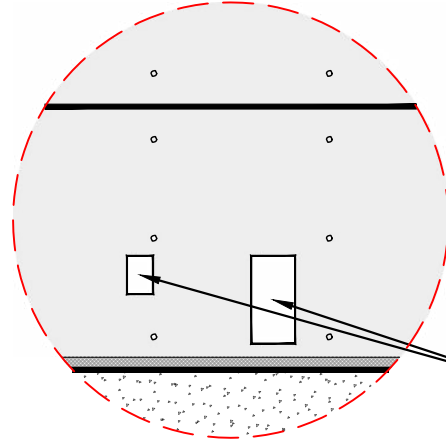
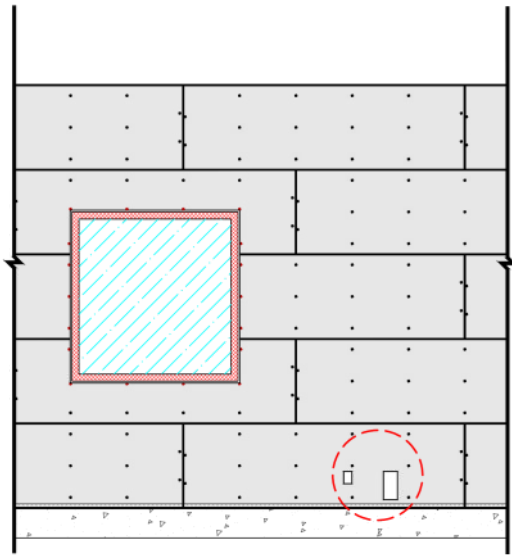
NOTES

1. FOR DOOR AND WINDOW CORNERS AND REPAIRS, USE SELF-ADHESIVE FIBERGLASS MESH ALKALI RESISTANCE AND HIGH HUMIDITY RESISTANT CHECK MANUFACTURER'S INSTALLATION GUIDELINES
2. IT IS ADVISABLE TO USE A FIBERGLASS MESH ACCORDING TO BASE COAT SYSTEM, FOR MORE INFORMATION CHECK MANUFACTURER'S INSTALLATION GUIDELINES
3. APPLY SILICONE 100% WATERPROOF FOR OUTDOOR. CHECK MANUFACTURER'S INSTALLATION GUIDELINES

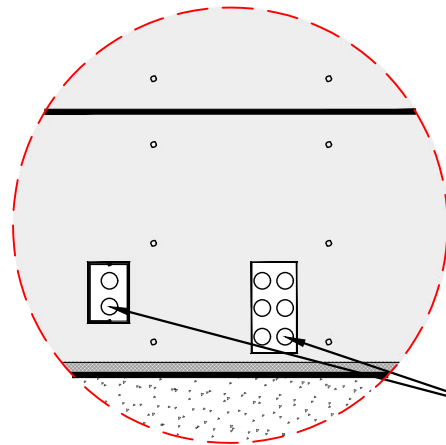
DRILLINGS - WALLS

1.- CUT AS NEEDED FROM THE OUTSIDE THROUGH LITECON CLADDING

2.- PASS WIRES OR TUBES THROUGH THE PENETRATIONS



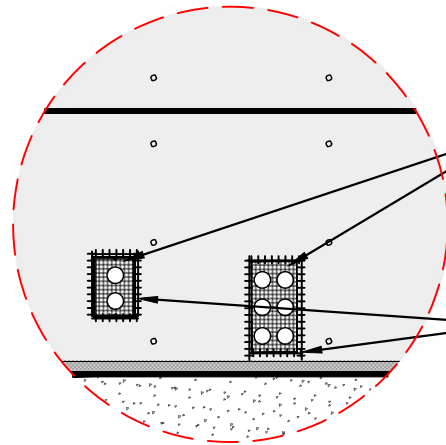
DRILLING ON THE PANEL



WIRES OR TUBES

3.- FILL IN WITH FIREBLOCK POLYURETHANE FOAM

4.- COVER PENETRATIONS WITH FIBERGLASS MESH AND ADHESIVE  
LEAVE WIRES AND TUBES UNCOVERED



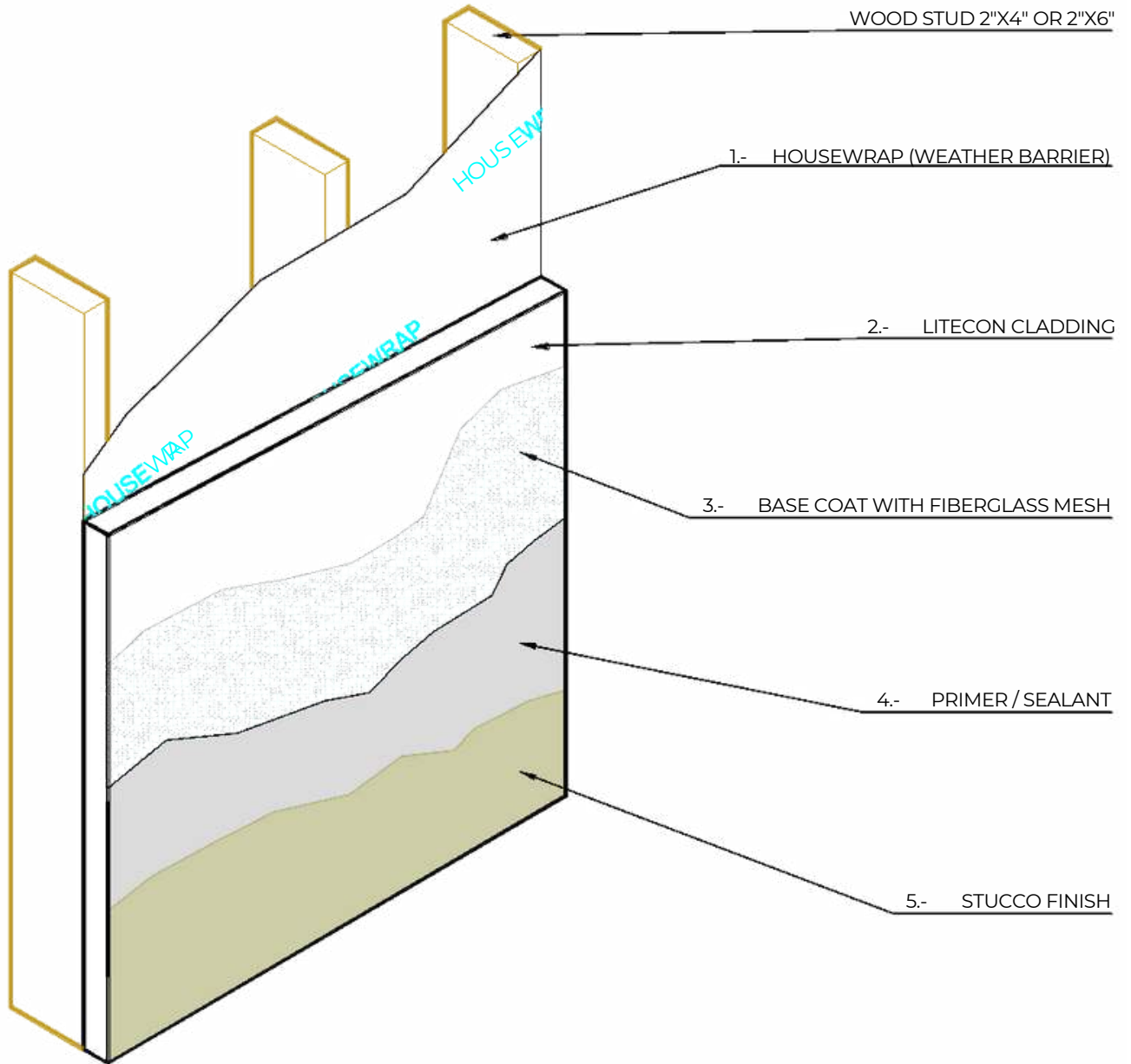
FIREBLOCK POLYURETHANE FOAM

FIBERGLASS MESH EMBEDDED WITH LITECON ADHESIVE

NOTES

- 1.- APPLY FIREBLOCK POLYURETHANE FOAM SEALANT. CHECK MANUFACTURER'S INSTALLATION GUIDELINES
- 2.- USE SELF-ADHESIVE FIBERGLASS MESH ALKALI RESISTANCE AND HIGH HUMIDITY RESISTANT CHECK MANUFACTURER'S INSTALLATION GUIDELINES

POPULAR FINISHES



NOTES

- 1.-TAMLYNWRAP OR DUPONT DRAINABLE WRAP ARE RECOMMENDED AS A WEATHER BARRIER. CHECK MANUFACTURER'S INSTALLATION GUIDELINES
- DRAINABLE WRAP MUST BE INSTALLED WITH DRAINABLE PATTERN FACING LITECON CLADDING. CHECK MANUFACTURER'S INSTALLATION GUIDELINES
- 2.-IT IS ADVISABLE TO USE A FIBERGLASS MESH ACCORDING TO BASE COAT SYSTEM, FOR MORE INFORMATION CHECK MANUFACTURER'S INSTALLATION GUIDELINES 3.-
- CHECK MANUFACTURER'S INSTALLATION GUIDELINES FOR THICKNESS OF BASE COAT SYSTEM AND STUCCO FINISH

VERSION: 2023

PRODUCT:

CLADDING 2" &amp; 3"

## FAQ'S

## BEFORE LITECON CLADDING INSTALLATION

Q. WHAT DO I NEED TO CHECK BEFORE I START?  
 A. MAKE SURE THE SLAB OR FOUNDATION HAS A BRICK LEDGE OR IRON ANGLE  
 - HAVE ALL THE NECESSARY MATERIALS AND TOOLS  
 - HAVE A CUTTING AREA

Q. HOW DO I PREPARE THE LITECON ADHESIVE?  
 A. IN A 5 GALLON BUCKET PUT 2 1/4" INCHES OF CLEAN WATER, POUR HALF OF A BAG OF LITECON ADHESIVE AND STIR UNTIL THERE ARE NO LUMPS, LET IT REST FOR 5 MINUTES AND GIVE A LAST STIR

Q. HOW MUCH LITECON ADHESIVE SHOULD I PREPARE?  
 A. IT IS RECOMMENDED TO PREPARE HALF A BAG SO IT DOESN'T DRY OUT

## LITECON CLADDING INSTALLATION

Q. HOW TO AVOID JOINT OR ADHESIVE SLUMPS?

Q. HOW CAN I LEVEL THE FIRST ROW?  
 A. AT THE END OF THE WORK DAY, GO BACK TO UNEVEN ADHESIVE OR A MIX OF BOTH COMPLETELY. BOTH LITECON CLADDING AND LITECON ADHESIVE ARE VERY EASY TO SAND DOWN, BEFORE

Q. PIECES LEFT OVER FROM CUTS CAN BE USED IN OTHER AREAS?  
 A. YES, THEY CAN BE USED

RECOMMENDATION

Q. WHAT SHOULD I DO IF THE EDGE OF THE LITECON CLADDING IS NOT ON A STUD?  
 A. THERE ARE TWO ALTERNATIVES, THE FIRST ONE IS TO CUT THE LITECON CLADDING AND THE SECOND IS TO PUT AN ADDITIONAL STUD FIXED TO THE EXISTING ONE THAT THE PANEL ABSORBS THE WATER AND LESS

Q. CAN I APPLY STEEL FLASHING INSTEAD OF LIQUID FLASHING?  
 A. YES, YOU CAN

Q. HOW TO PLACE A CONTROL JOINT?  
 A. PANEL?

VERTICAL: GROOVE VERTICALLY OR HORIZONTALLY 3/8" WIDTH INCH WITH A ROUTER AND AFTER THIS PLACE YOUR PLYWOOD/OSB IS. EX: PLYWOOD IS 1/2" ADD A 1/2" BACKER ROD FOLLOWED BY CAULKING TO THE SPECIFIED SCREW.

HORIZONTAL: SHOULD BE 5/8" WIDTH FOR METAL FRAME AND 1" FOR WOOD FRAME.

## WINDOWS AND DOORS

Q. SHOULD WINDOWS BE INSTALLED PRIOR TO LITECON CLADDING?  
 A. YES, WINDOWS SHOULD BE INSTALLED PRIOR TO LITECON CLADDING

Q. HOW SHOULD WINDOWS BE INSTALLED?

A. WINDOWS SHOULD BE INSTALLED PER MANUFACTURERS GUIDELINES. LITECON CLADDING DOES NOT CHANGE WINDOW INSTALLATION

Q. IF A WINDOW IS NOT LEVEL, CAN THE LITECON CLADDING BE CUT PARALLEL TO IT?

A. YES IT CAN

## GARAGE

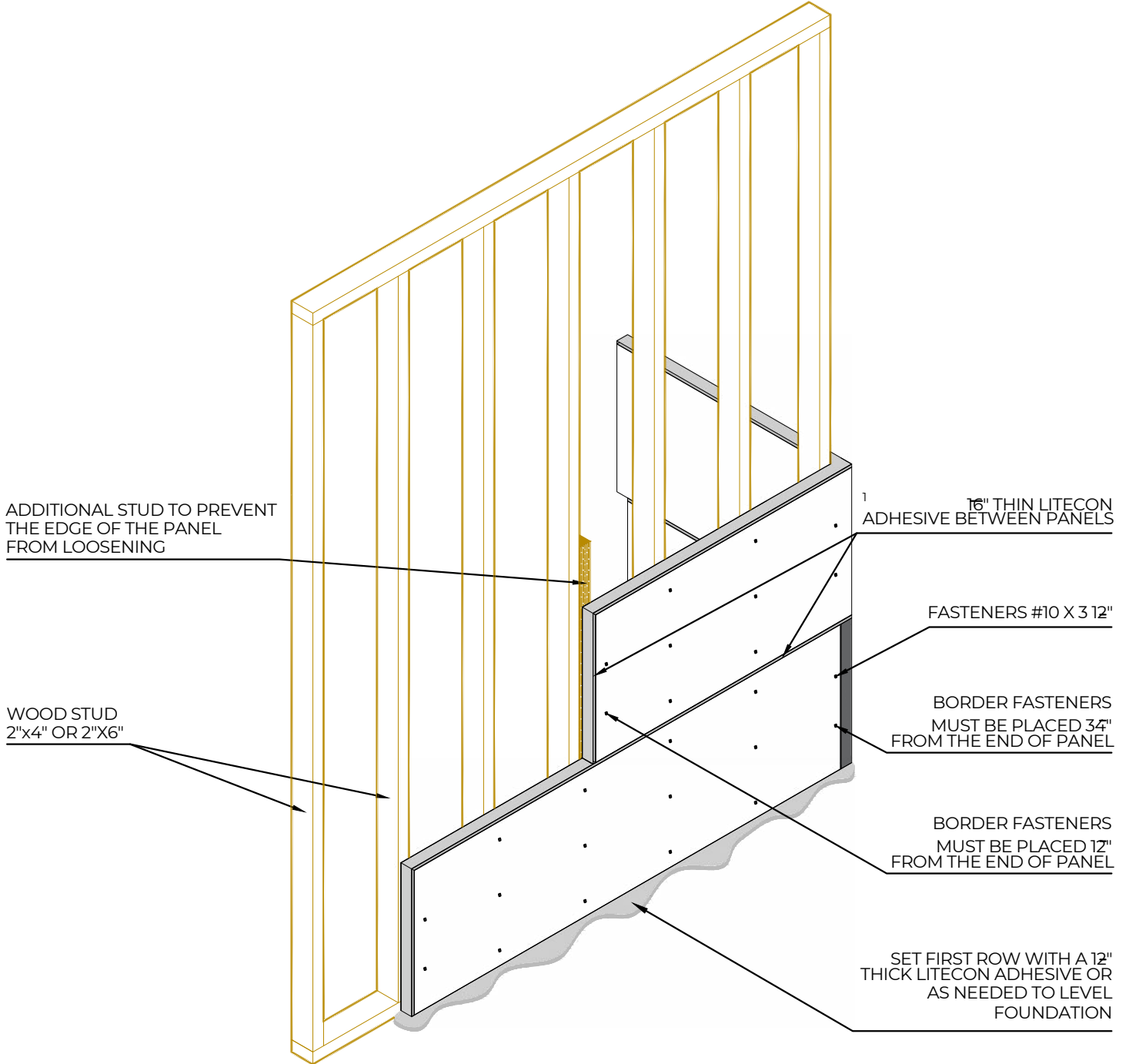
Q. SHOULD GARAGE HEAD FLASHING BE INSTALLED PRIOR TO LITECON CLADDING?

A. YES, GARAGE HEAD FLASHING SHOULD BE INSTALLED PRIOR TO LITECON CLADDING

## SLUMPS

Q. WHAT SIZE SCREW DO I USE IF I HAVE PLYWOOD/OSB

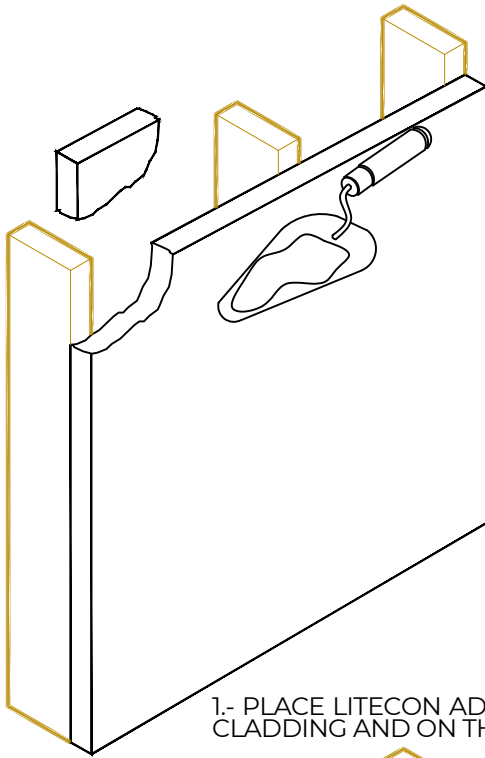
PLACEMENT OF ADDITIONAL STUD  
WHEN THE EDGE OF THE PANEL IS NOT ALIGNED WITH A STUD



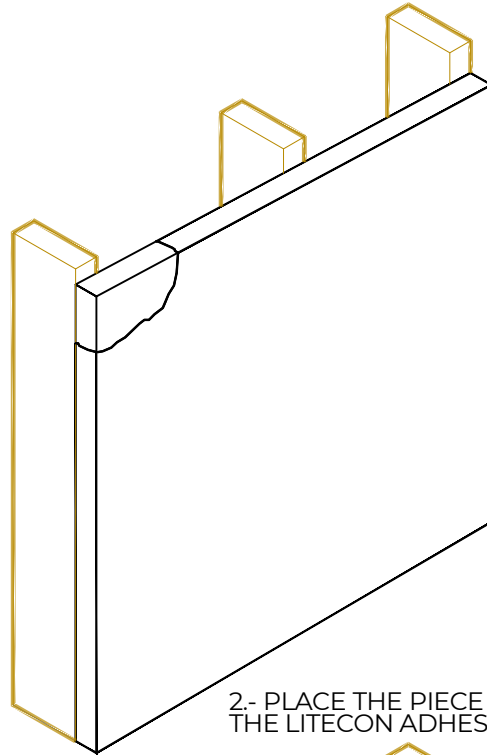
NOTES

- 1.-LEVEL FIRST ROW WITH LITECON ADHESIVE
- 2.-MAKE SURE TO APPLY ENOUGH ADHESIVE, AT LEAST 1/16" THROUGHOUT ENTIRE MATING FACES
- 3.-BE SURE TO INTERLOCK 2" OF PANEL IN CORNERS
- 4.-WHEN DRILLING THROUGH THE PANELS, MAKE SURE THE SCREW ENTERS THE WOOD STUD
- 5.-FASTENERS HEADS MUST BE COUNTERSUNK 1/2" INTO THE PANEL
- 6.-FILL THE 1/2" GAP GENERATED BY THE FASTENER WITH LITECON ADHESIVE TO PREVENT WATER INTRUSION TO THE STUD
- 7.-ALLOW LITECON ADHESIVE TO DRY FOR A MINIMUM OF 24 HOURS PRIOR TO APPLYING ANY LOAD

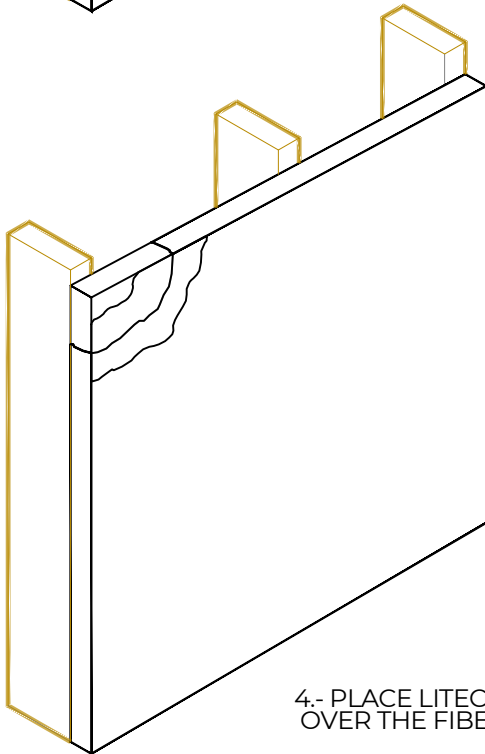
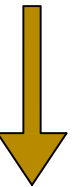
CRACKS REPAIRING



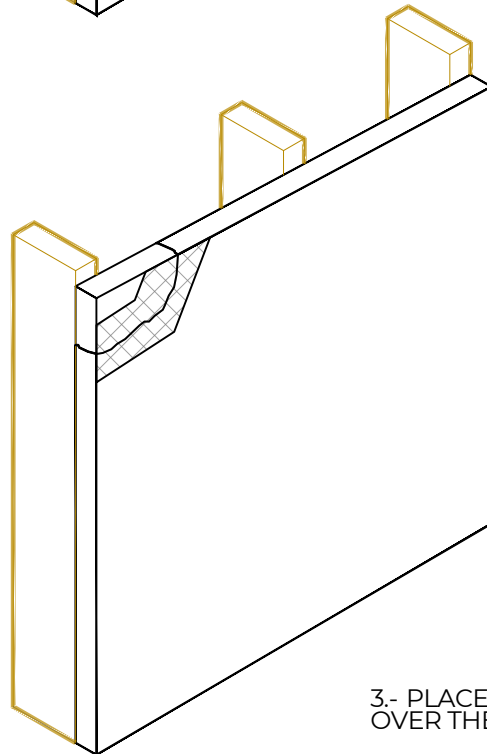
1.- PLACE LITECON ADHESIVE ON LITECON CLADDING AND ON THE PIECE



2.- PLACE THE PIECE ON AND LET THE LITECON ADHESIVE DRY



4.- PLACE LITECON ADHESIVE OVER THE FIBERGLASS MESH



3.- PLACE FIBERGLASS MESH OVER THE UNION

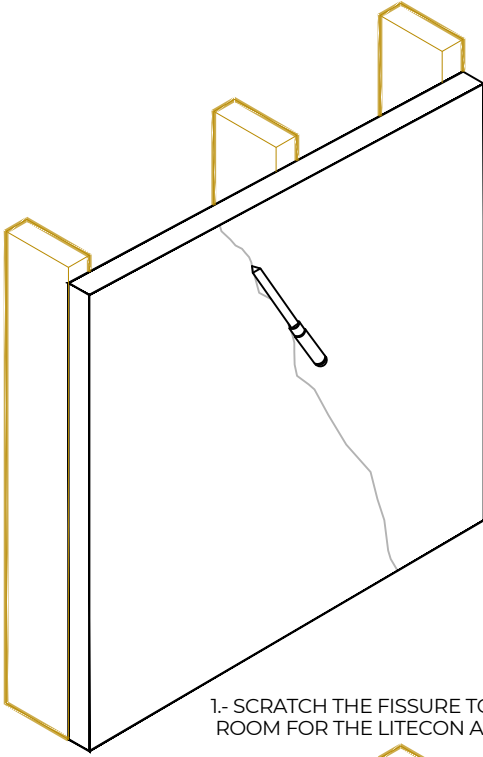


NOTES

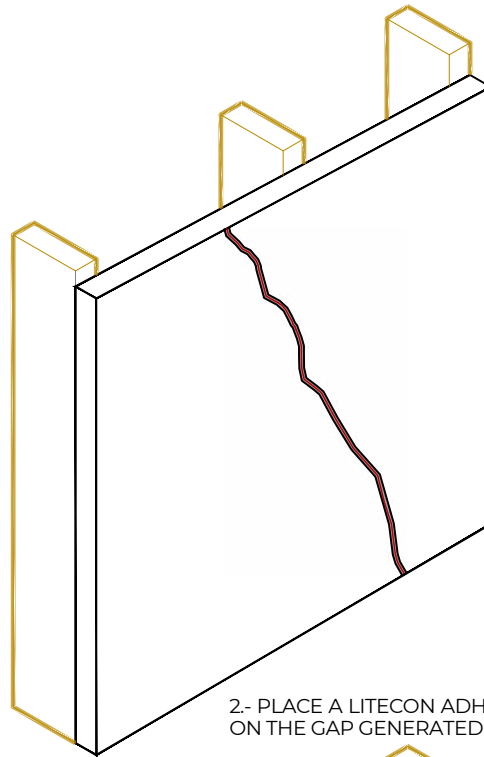
- 1.FOR DOOR AND WINDOW CORNERS AND REPAIRS, USE SELF-ADHESIVE FIBER GLASS MESH ALKALI RESISTANCE AND HIGH HUMIDITY RESISTANT
- 2.IT IS ADVISABLE TO USE A FIBERGLASS MESH ACCORDING TO THE BASE COAT SYSTEM, FOR MORE INFORMATION CHECK MANUFACTURER'S INSTALLATION GUIDELINES
- 3.CHECK MANUFACTURER'S INSTALLATION GUIDELINES FOR THICKNESS OF BASE COAT SYSTEM AND STUCCO FINISH



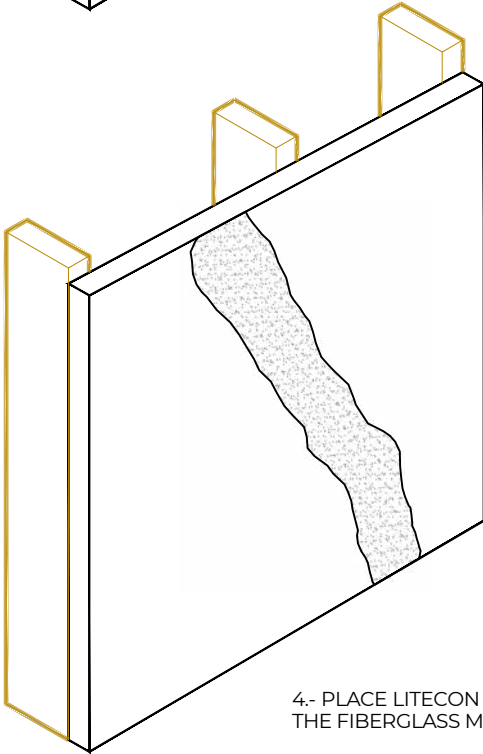
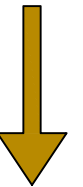
FISSURE REPAIRING



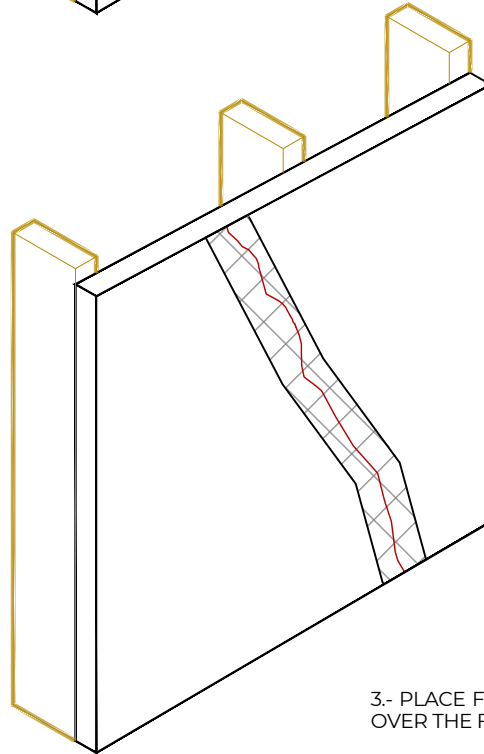
1.- SCRATCH THE FISSURE TO MAKE ROOM FOR THE LITECON ADHESIVE



2.- PLACE A LITECON ADHESIVE ON THE GAP GENERATED



4.- PLACE LITECON ADHESIVE OVER THE FIBERGLASS MESH



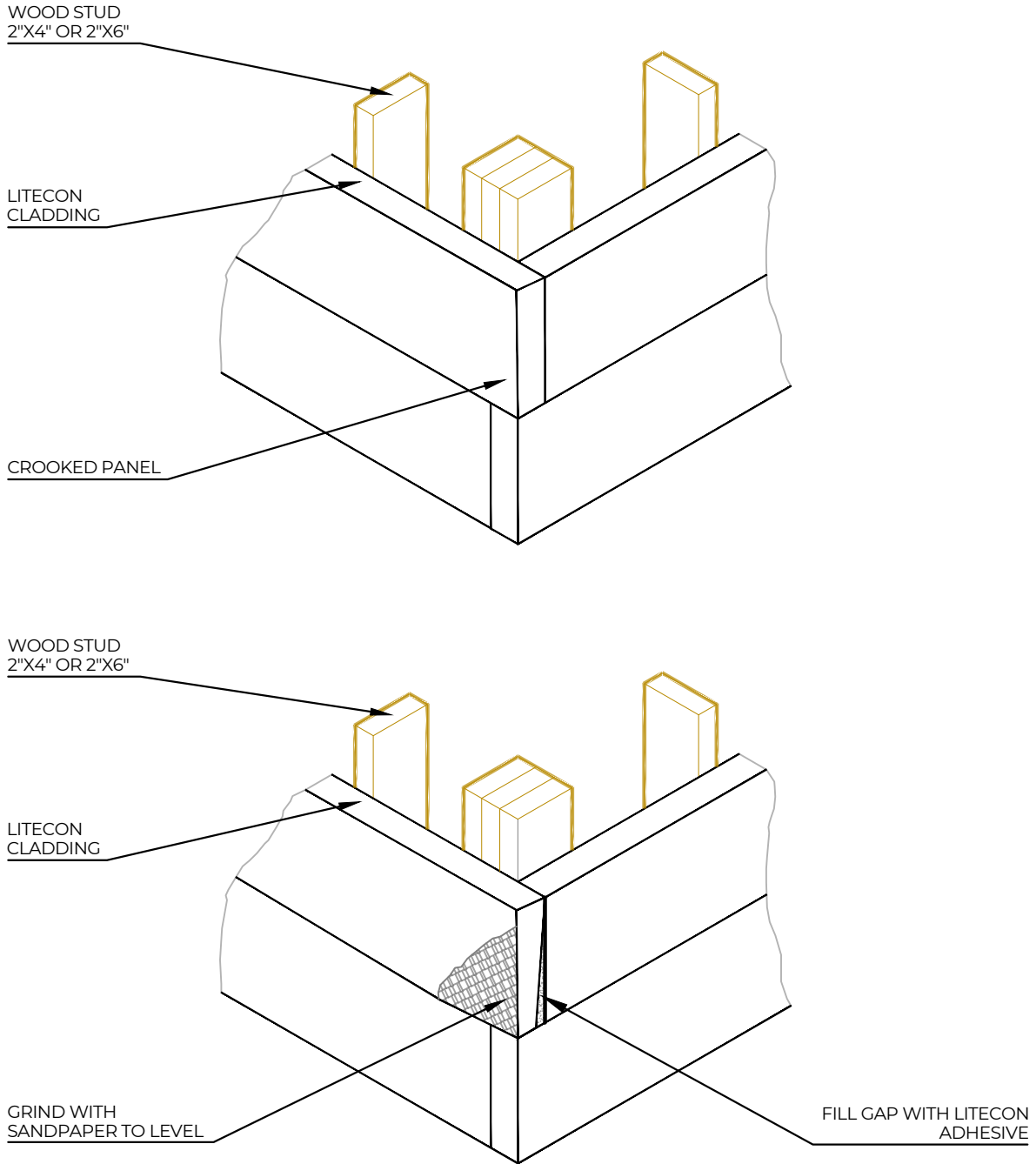
3.- PLACE FIBERGLASS MESH OVER THE FISSURE



NOTES

- 1.FOR DOOR AND WINDOW CORNERS AND REPAIRS, USE SELF-ADHESIVE FIBER GLASS MESH ALKALI RESISTANCE AND HIGH HUMIDITY RESISTANT
- 2.IT IS ADVISABLE TO USE A FIBERGLASS MESH ACCORDING TO THE BASE COAT SYSTEM, FOR MORE INFORMATION CHECK MANUFACTURER'S INSTALLATION GUIDELINES
- 3.CHECK MANUFACTURER'S INSTALLATION GUIDELINES FOR THICKNESS OF BASE COAT SYSTEM AND STUCCO FINISH

CROOKED CORNER REPAIRING



NOTES

- 1.FOR DOOR AND WINDOW CORNERS AND REPAIRS, USE SELF-ADHESIVE FIBER GLASS MESH ALKALI RESISTANCE AND HIGH HUMIDITY RESISTANT
- 2.IT IS ADVISABLE TO USE A FIBERGLASS MESH ACCORDING TO THE BASE COAT SYSTEM, FOR MORE INFORMATION CHECK MANUFACTURER'S INSTALLATION GUIDELINES
- 3.CHECK MANUFACTURER'S INSTALLATION GUIDELINES FOR THICKNESS OF BASE COAT SYSTEM AND STUCCO FINISH

# FRAMECRETE

## CLADDING 2" & 3"

INSTALLATION GUIDE FOR CLADDING  
2023